



**cruX**<sup>TM</sup>  
RAILING SYSTEM

# RAILING

*We Make It More Elegance...*

 Premium Aluminium  
**Glass Railing System**



*we Make It More Elegance...*



## About us :

At **CRUX** Brand, We are the pioneers in crafting stunning Aluminium & SS glass railing solutions that combine form, function , safety and commitment to quality, innovation and customer satisfaction is unwavering.

Founded in 2020, with 8 years of experience **CRUX** Railing system embarked on a journey to transform space and elevate aesthetics through our precision engineered Aluminum Glass Railing System.

**CRUX** Railing System was born out of a shared dream to provide stylish and safe railing option to builders, architects, shopping malls, hospitals and corporate buildings. While we are just starting our dedication to delivering top-notch product is our driving force.

## Our mission:

Our mission is clear to provide our customers with the finest aluminium glass railing solutions that enhance the beauty and safety of their spaces. We are dedicated to achieving this through uncompromising quality.

## Why choose us :

**Premium material** : we use only the finest aluminium and glass material, ensuring not only elegance but also long- lasting durability.

**Customization**: your vision, our expertise, we offer a wide range of design options and finishes, allowing you to create railing systems that perfectly complement your space.

**Safety first**: our railings are not just beautiful but engineered for safety , we adhere to the strictest safety standards to provide peace of mind to our customers.



*We Make It More Elegance...*

**crux**<sup>TM</sup>  
RAILING SYSTEM

## CX-CP-01

### Top Mount Continue Profile System



#### ► Specification

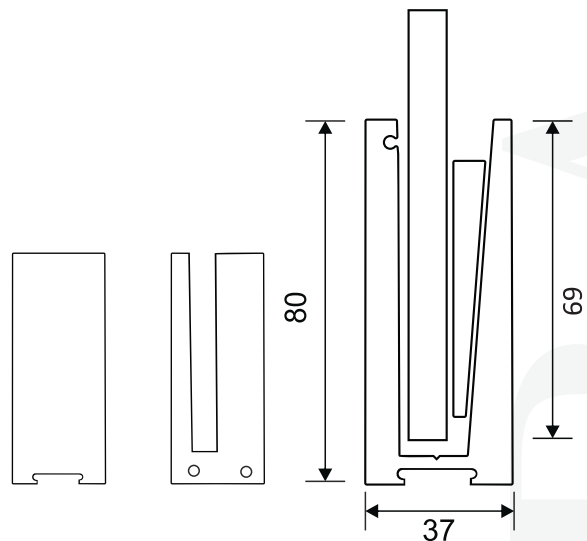
Floor Mount  
Upto 16 Ft Length  
Glass : Minimum (12mm)

#### ► Essential features

Suitable For Staircase And Balcony  
Complete Modular System  
Easy Installation & Easy Maintenance  
Perfect Aesthetic View  
Space Saving And Minimalist Design

#### ► Available Finish (with Color)

Powder Coating  
Anodised  
Wood Finish





*We Make It More Elegance...*

**crux**<sup>TM</sup>  
RAILING SYSTEM

## CX-CP-02

### Top Mount Continue Profile System



#### ► Specification

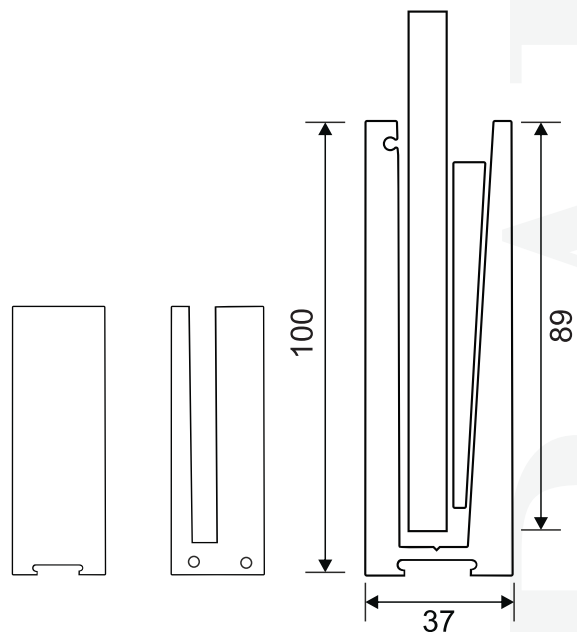
Floor Mount  
Upto 16 Ft Length  
Glass : Minimum (12mm)

#### ► Essential features

Suitable For Staircase And Balcony  
Complete Modular System  
Perfect for Big Balcony  
Easy Installation & Easy Maintenance  
Perfect Aesthetic View  
Space Saving And Minimalist Design

#### ► Available Finish (with Color)

Powder Coating  
Anodised  
Wood Finish







*We Make It More Elegance...*

**crux**<sup>TM</sup>  
RAILING SYSTEM

## CX-CP-03

### Top Mount Continue Profile System

#### ► Specification

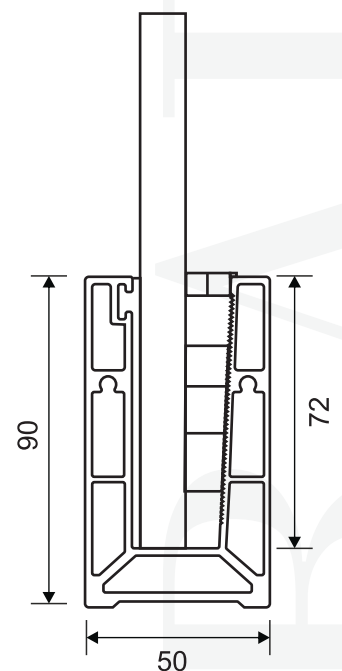
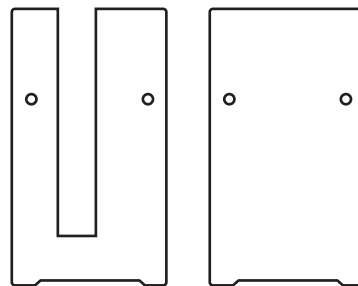
Floor Mount  
Upto 16 Ft Length  
Glass : Minimum (12mm)

#### ► Essential features

Suitable For Staircase And Balcony  
Complete Modular System  
Perfect for Big Balcony  
Easy Installation & Easy Maintenance  
Perfect Aesthetic View  
Space Saving And Minimalist Design

#### ► Available Finish (with Color)

Powder Coating  
Anodised  
Wood Finish





*We Make It More Elegance...*

**crux**<sup>TM</sup>  
RAILING SYSTEM

## CX-CP-04

### Top Mount Continue Profile System

#### ► Specification

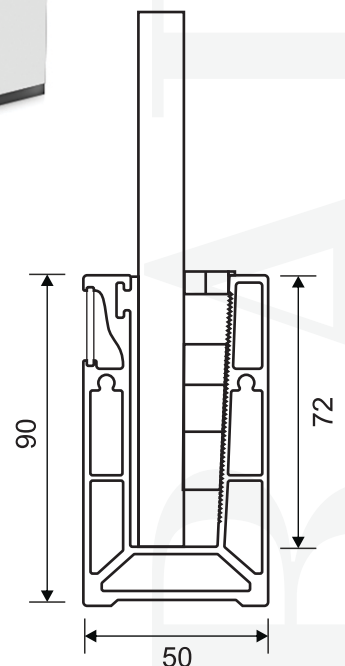
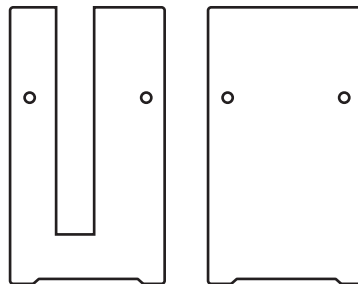
Floor Mount  
Upto 16 Ft Length  
Glass : Minimum (12mm)

#### ► Essential features

Suitable For Staircase And Balcony  
Complete Modular System  
Perfect for Big Balcony  
Easy Installation & Easy Maintenance  
Perfect Aesthetic View  
Space Saving And Minimalist Design

#### ► Available Finish (with Color)

Powder Coating  
Anodised  
Wood Finish





*We Make It More Elegance...*

**crux**<sup>TM</sup>  
RAILING SYSTEM

## CX-CP-05

### Top Mount Continue Profile System



#### ► Specification

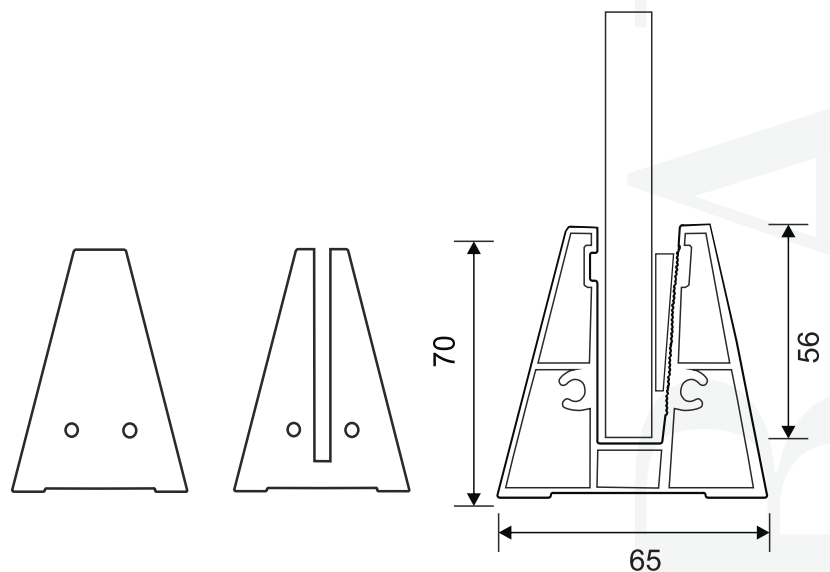
Floor Mount  
Upto 16 Ft Length  
Glass : Minimum (12mm)

#### ► Essential features

Suitable For Staircase And Balcony  
Complete Modular System  
Easy Installation & Easy Maintenance  
Perfect Aesthetic View  
Space Saving And Minimalist Design

#### ► Available Finish (with Color)

Powder Coating  
Anodised  
Wood Finish





*We Make It More Elegance...*

**crux**<sup>TM</sup>  
RAILING SYSTEM

## CX-CP-06

### Top Mount Continue Profile System



#### ► Specification

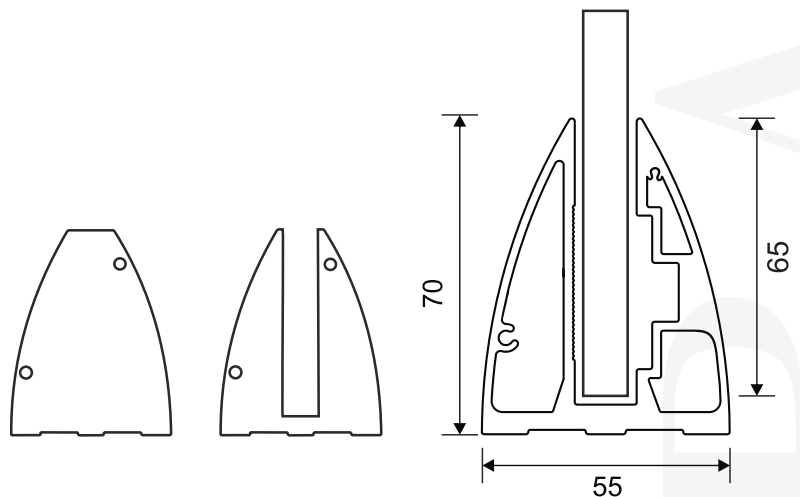
Floor Mount  
Upto 16 Ft Length  
Glass : Minimum (12mm)

#### ► Essential features

Suitable For Staircase And Balcony  
Complete Modular System  
Easy Installation & Easy Maintenance  
Perfect Aesthetic View  
Space Saving And Minimalist Design

#### ► Available Finish (with Color)

Powder Coating  
Anodised  
Wood Finish





*We Make It More Elegance...*

**crux**<sup>TM</sup>  
RAILING SYSTEM

## CX-CP-07

### Top Mount Continue Profile System



#### ► Specification

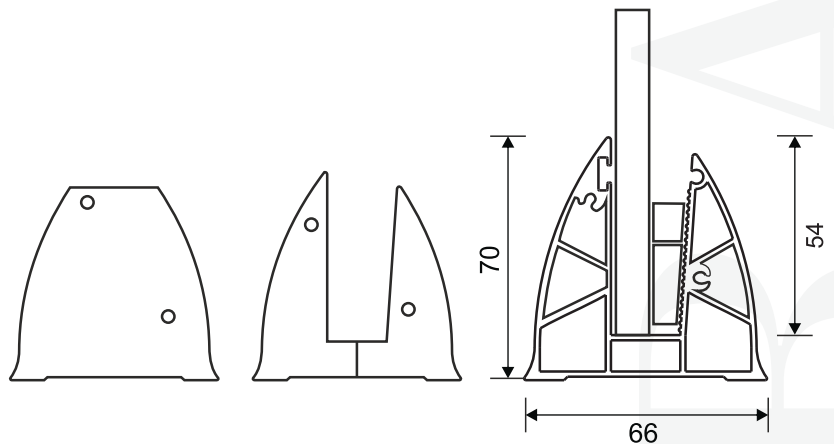
Floor Mount  
Upto 16 Ft Length  
Glass : Minimum (12mm)

#### ► Essential features

Suitable For Staircase And Balcony  
Complete Modular System  
Easy Installation & Easy Maintenance  
Perfect Aesthetic View  
Space Saving And Minimalist Design

#### ► Available Finish (with Color)

Powder Coating  
Anodised  
Wood Finish







*We Make It More Elegance...*

**crux**<sup>TM</sup>  
RAILING SYSTEM

## CX-CP-08

### Top Mount Continue Profile System



#### ► Specification

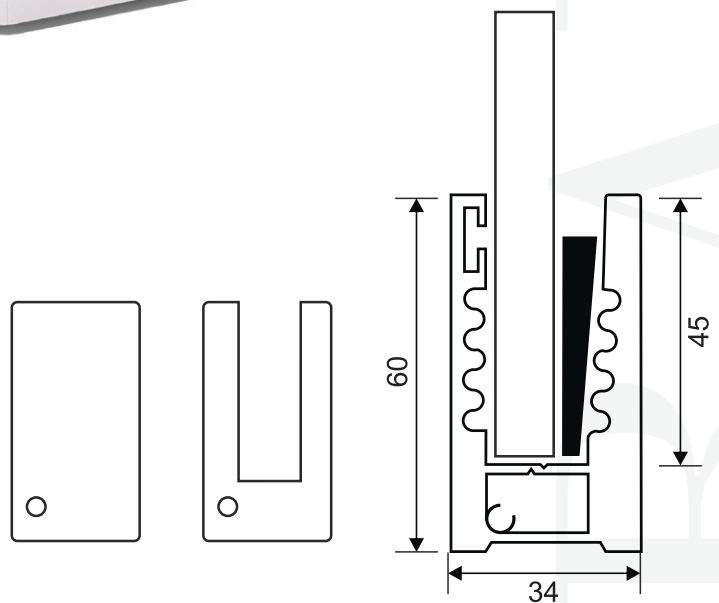
Floor Mount  
Upto 16 Ft Length  
Glass : Minimum (12mm)

#### ► Essential features

Suitable For Staircase And Balcony  
Complete Modular System  
Easy Installation & Easy Maintenance  
Perfect Aesthetic View  
Space Saving And Minimalist Design

#### ► Available Finish (with Color)

Powder Coating  
Anodised  
Wood Finish





*We Make It More Elegance...*

**crux**<sup>TM</sup>  
RAILING SYSTEM

## CX-CP-09

### Top Mount Continue Profile System



#### ► Specification

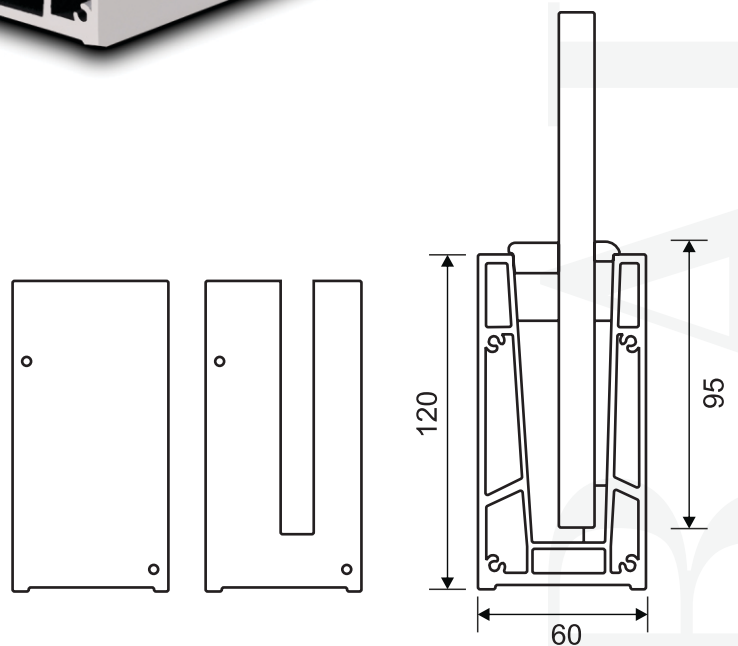
Floor Mount  
Upto 12 Ft Length  
Glass : Minimum (12mm)

#### ► Essential features

Suitable For Staircase And Balcony  
Complete Modular System  
Perfect for Big Balcony  
Easy Installation & Easy Maintenance  
Perfect Aesthetic View  
Space Saving And Minimalist Design

#### ► Available Finish (with Color)

Powder Coating  
Anodised  
Wood Finish





*We Make It More Elegance...*

**crux**<sup>TM</sup>  
RAILING SYSTEM

## CX-CP-10

### Top Mount Continue Profile System



#### ► Specification

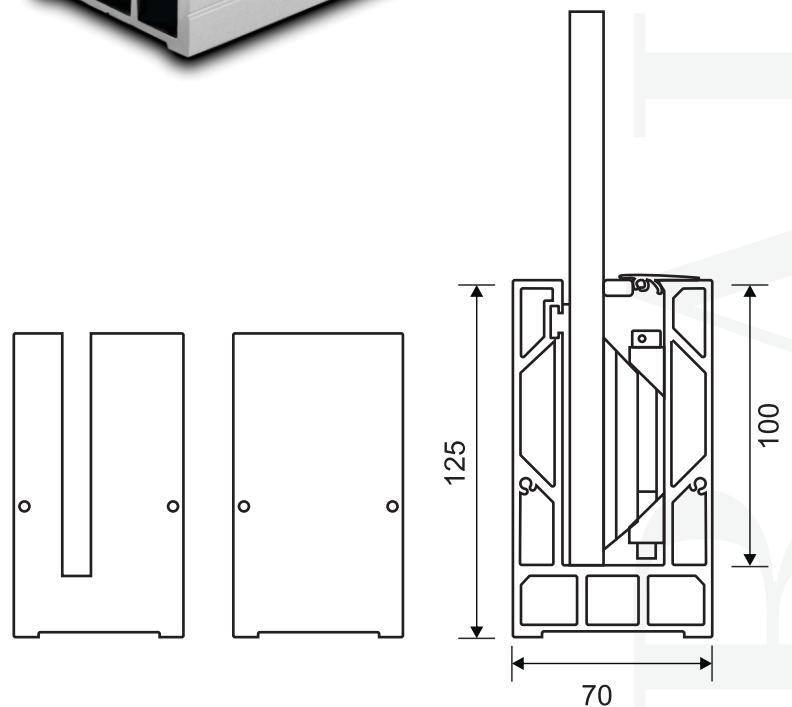
Floor Mount  
Upto 12 Ft Length  
Glass : Minimum (12mm)

#### ► Essential features

Suitable For Staircase And Balcony  
Complete Modular System  
Perfect for Big Balcony  
Easy Installation & Easy Maintenance  
Perfect Aesthetic View  
Space Saving And Minimalist Design

#### ► Available Finish (with Color)

Powder Coating  
Anodised  
Wood Finish





*We Make It More Elegance...*

**crux**<sup>TM</sup>  
RAILING SYSTEM

## CX-CP-11

### Continue Concealed Profile System



#### ► Specification

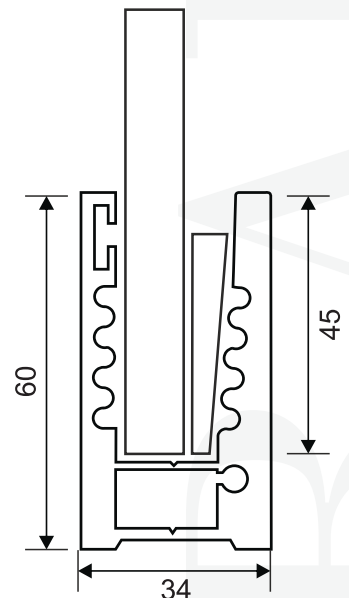
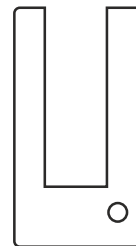
Continus Concealed Profile System  
Floor Mount  
Upto 16 Ft Length  
Glass : Minimum (12mm)

#### ► Essential features

Suitable For Staircase And Balcony  
Complete Modular System  
Easy Installation & Easy Maintenance  
Perfect Aesthetic View  
Space Saving And Minimalist Design

#### ► Available Finish (with Color)

Powder Coating  
Anodised  
Wood Finish





*We Make It More Elegance...*

**crux**<sup>TM</sup>  
RAILING SYSTEM

## CX-BRCV-12

### Top Mount Bracket with Cover Profile System



#### ► Specification

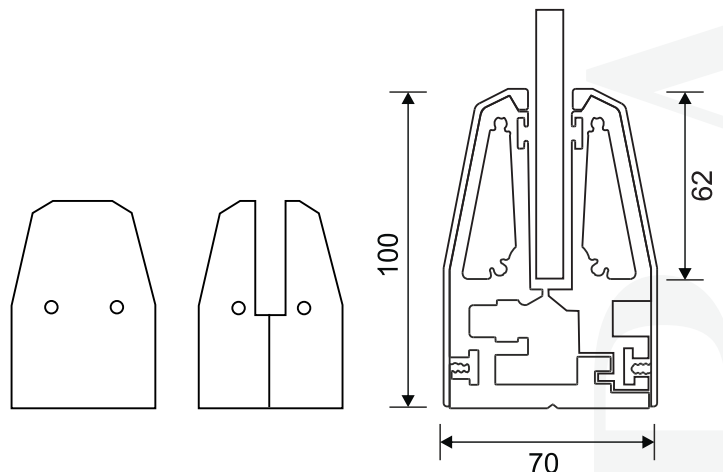
Bracketed  
Floor Mount  
70mm & 140mm  
Glass: Minium 12 Mm

#### ► Essential features

Suitable For Staircase And Balcony  
Complete Modular System  
Easy Installation & Easy Maintenance  
Perfect Aesthetic View  
Space Saving And Minimalist Design

#### ► Available Finish (with Color)

Powder Coating  
Anodised  
Wood Finish







*We Make It More Elegance...*

**crux**<sup>TM</sup>  
RAILING SYSTEM

## CX-BRCV-13

### Top Mount Bracket with Cover Profile System



#### ► Specification

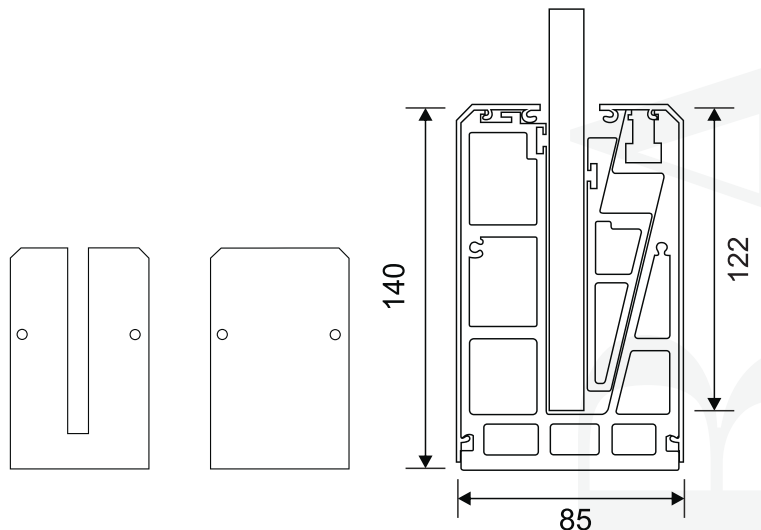
Bracketed  
Floor Mount  
70mm & 140mm  
Glass: Minimum 12 Mm

#### ► Essential features

Suitable For Staircase And Balcony  
Complete Modular System  
Perfect for Big Balcony  
Easy Installation & Easy Maintenance  
Perfect Aesthetic View  
Space Saving And Minimalist Design

#### ► Available Finish (with Color)

Powder Coating  
Anodised  
Wood Finish





*We Make It More Elegance...*

**crux**<sup>TM</sup>  
RAILING SYSTEM

## CX-BRT-14

### Top Mount Bracket Profile System



#### ► Specification

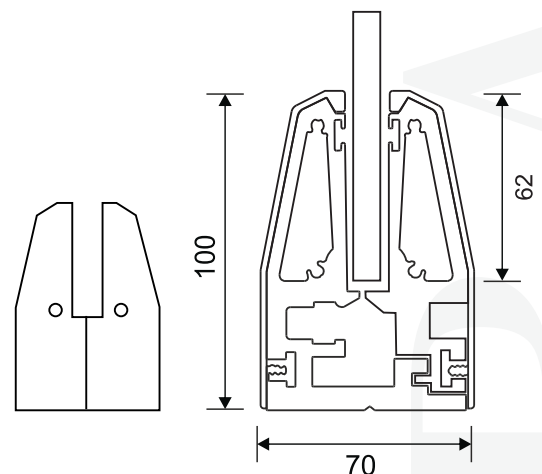
Bracketed  
Floor Mount  
70mm & 140mm  
Glass: Minimum 12 Mm

#### ► Essential features

Suitable For Staircase And Balcony  
Complete Modular System  
Easy Installation & Easy Maintenance  
Perfect Aesthetic View  
Space Saving And Minimalist Design

#### ► Available Finish (with Color)

Powder Coating  
Anodised  
Wood Finish





*We Make It More Elegance...*

**crux**<sup>TM</sup>  
RAILING SYSTEM

## CX-BRT-15

### Top Mount Bracket Profile System



#### ► Specification

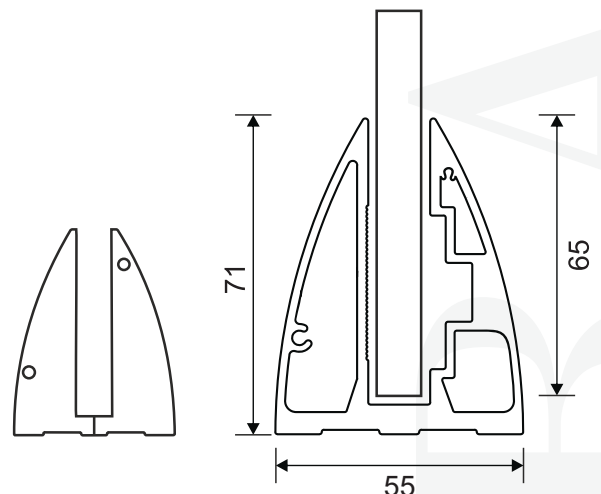
Bracketed  
Floor Mount  
70mm & 140mm  
Glass: Minimum 12 Mm

#### ► Essential features

Suitable For Staircase And Balcony  
Complete Modular System  
Easy Installation & Easy Maintenance  
Perfect Aesthetic View  
Space Saving And Minimalist Design

#### ► Available Finish (with Color)

Powder Coating  
Anodised  
Wood Finish





*We Make It More Elegance...*

**crux**<sup>TM</sup>  
RAILING SYSTEM

## CX-BRT-16

### Top Mount Bracket Profile System



#### ► Specification

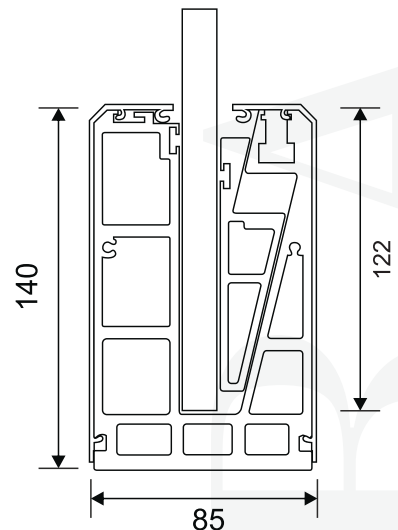
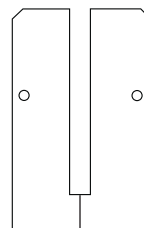
Bracketed  
Floor Mount  
70mm & 140mm  
Glass: Minium 12 Mm

#### ► Essential features

Suitable For Staircase And Balcony  
Complete Modular System  
Perfect for Big Balcony  
Easy Installation & Easy Maintenance  
Perfect Aesthetic View  
Space Saving And Minimalist Design

#### ► Available Finish (with Color)

Powder Coating  
Anodised  
Wood Finish





*We Make It More Elegance...*

**crux**<sup>TM</sup>  
RAILING SYSTEM

## CX-BRT-17

### Top Mount Bracket Profile System



#### ► Specification

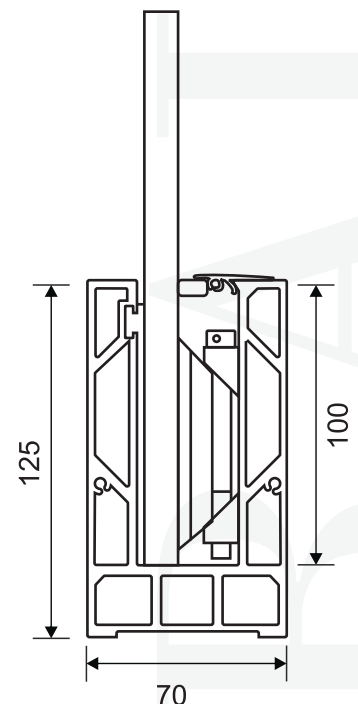
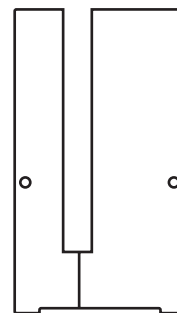
Bracketed  
Floor Mount  
70mm & 140mm  
Glass: Minium 12 Mm

#### ► Essential features

Suitable For Staircase And Balcony  
Complete Modular System  
Perfect for Big Balcony  
Easy Installation & Easy Maintenance  
Perfect Aesthetic View  
Space Saving And Minimalist Design

#### ► Available Finish (with Color)

Powder Coating  
Anodised  
Wood Finish







*We Make It More Elegance...*

**crux**<sup>TM</sup>  
RAILING SYSTEM

## CX-BRT-18

### Top Mount Bracket Profile System



#### ► Specification

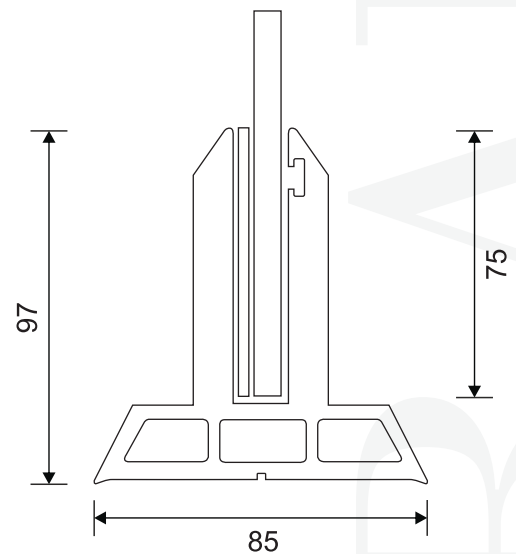
Bracketed  
Floor Mount  
62mm  
Glass: Minimum 12 Mm

#### ► Essential features

Suitable For Staircase And Balcony  
Complete Modular System  
Easy Installation & Easy Maintenance  
Perfect Aesthetic View  
Space Saving And Minimalist Design

#### ► Available Finish (with Color)

Powder Coating  
Anodised  
Wood Finish





*We Make It More Elegance...*

**crux**<sup>TM</sup>  
RAILING SYSTEM

## CX-BRT-19

### Top Mount Bracket Profile System



#### ► Specification

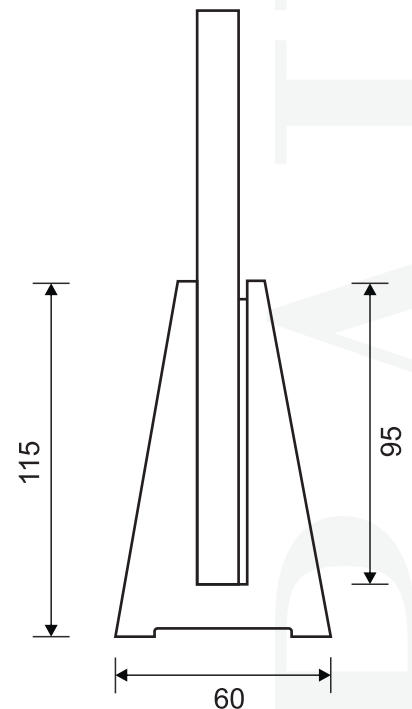
Bracketed  
Floor Mount  
50mm & 100mm  
Glass: Minimum 12 Mm

#### ► Essential features

Suitable For Staircase And Balcony  
Complete Modular System  
Easy Installation & Easy Maintenance  
Perfect Aesthetic View  
Space Saving And Minimalist Design

#### ► Available Finish (with Color)

Powder Coating  
Anodised  
Wood Finish





*We Make It More Elegance...*

**crux**<sup>TM</sup>  
RAILING SYSTEM

## CX-BRT-20

### Top Mount Bracket Profile System



#### ► Specification

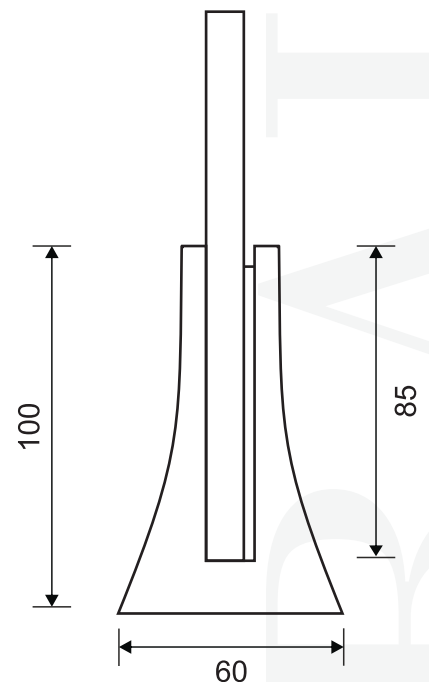
Bracketed  
Floor Mount  
50mm  
Glass: Minimum 12 Mm

#### ► Essential features

Suitable For Staircase And Balcony  
Complete Modular System  
Easy Installation & Easy Maintenance  
Perfect Aesthetic View  
Space Saving And Minimalist Design

#### ► Available Finish (with Color)

Powder Coating  
Anodised  
Wood Finish





*We Make It More Elegance...*

**crux**<sup>TM</sup>  
RAILING SYSTEM

## CX-BRT-21

### Top Mount Bracket Profile System



#### ► Specification

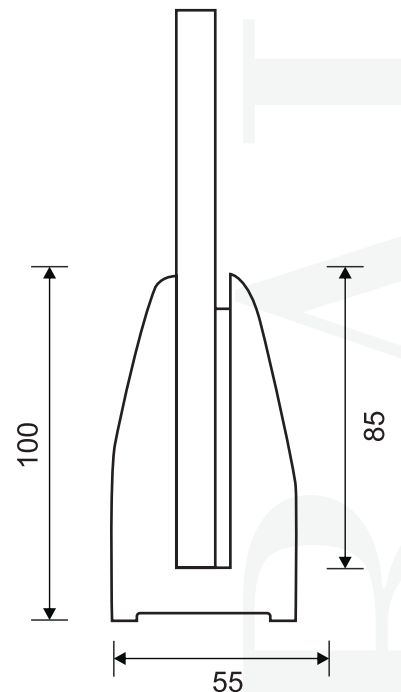
Bracketed  
Floor Mount  
50mm  
Glass: Minimum 12 Mm

#### ► Essential features

Suitable For Staircase And Balcony  
Complete Modular System  
Easy Installation & Easy Maintenance  
Perfect Aesthetic View  
Space Saving And Minimalist Design

#### ► Available Finish (with Color)

Powder Coating  
Anodised  
Wood Finish



# CX-CS-SPG



## Top Mount Rectangle Cross Spigot

### ► Specification

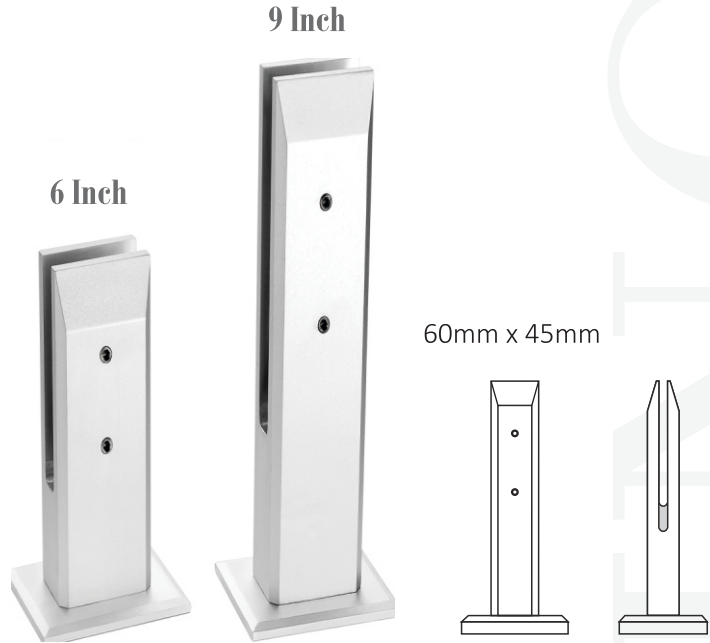
Bracketed  
Floor Mount  
60mm x 45mm  
Glass: Minium 12 Mm

### ► Essential features

Suitable For Staircase And Balcony  
Complete Modular System  
Easy Installation & Easy Maintenance  
Perfect Aesthetic View  
Space Saving And Minimalist Design

### ► Available Finish (with Color)

Powder Coating  
Anodised  
Wood Finish



# CX-SQ-SPG

## Top Mount Square Spigot

### ► Specification

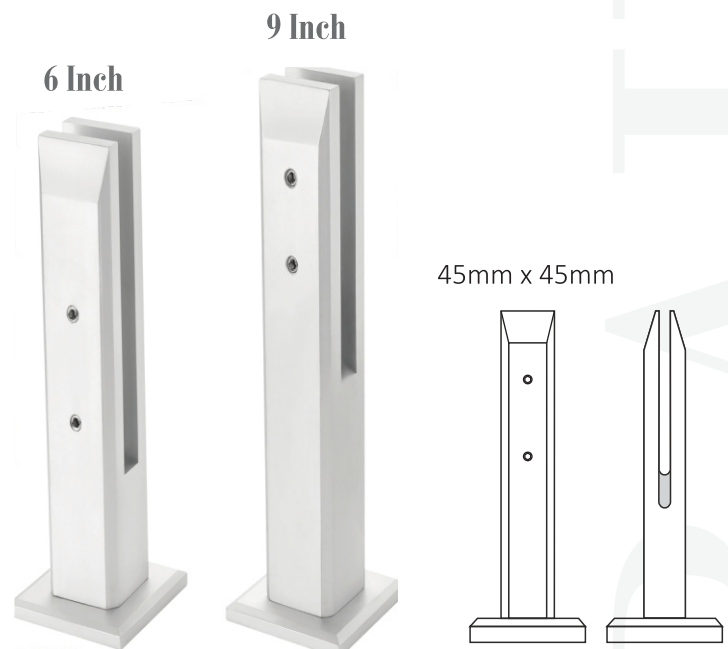
Bracketed  
Floor Mount  
45mm x 45mm  
Glass: Minium 12 Mm

### ► Essential features

Suitable For Staircase And Balcony  
Complete Modular System  
Easy Installation & Easy Maintenance  
Perfect Aesthetic View  
Space Saving And Minimalist Design

### ► Available Finish (with Color)

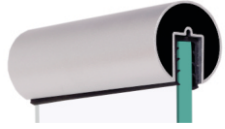
Powder Coating  
Anodised  
Wood Finish



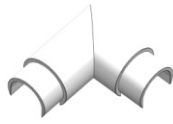


# Handrail & Accessories

*We Make It More Elegance...*



**CX-HR-50 R**



**CX-Bend-50 R**



**CX-L Connector-50 R**



**CX-HR Connector-50 R**



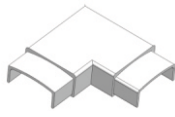
**CX-WC-50 R**



**CX-EC-50 R**



**CX-HR--5530**



**CX-Bend-5530**



**CX-L Connector-5530**



**CX-HR Connector-5530**



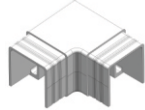
**CX-WC-5530**



**CX-EC-5530**



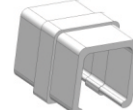
**CX-HR--5050**



**CX-Bend-5050**



**CX-L Connector-5050**



**CX-HR Connector-5050**



**CX-W-Concealed-5050**



**CX-EC-5050**



**CX-HR- 6037**



**CX-Bend-6037**



**CX-L Connector-6037**



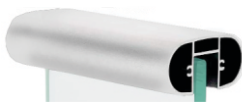
**CX-HR Connector-6037**



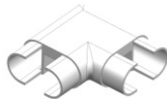
**CX-W-Concealed-6037**



**CX-EC6037**



**CX-HR- 7136**



**CX-Bend-7136**



**CX-L Connector-7136**



**CX-HR Connector-7136**



**CX-W-Concealed-7136**



**CX-EC7136**



**CX-HR- 7045**



**CX-Bend-7045**



**CX-L Connector-7045**



**CX-HR Connector-7045**



**CX-W-Concealed-7045**



**CX-EC-7045**



**CX-HR- 4640**



**CX-Bend-4640**



**CX-L Connector-4640**



**CX-HR Connector-4640**



**CX-W-Concealed-4640**



**CX-EC-4640**



**CX-HR- 8389**



**CX-Bend-8389**



**CX-L Connector-8389**



**CX-HR Connector-8389**



**CX-W-Concealed-8389**



**CX-End -8389Cap**

# Handrail & Accessories

*we Make it More Elegance...*



 <b>CX-HR-6540</b>	 <b>CX-Bend-50 R</b>	 <b>CX-L Connector-50 R</b>	 <b>CX-HR Connector-50 R</b>	 <b>CX-WC-50 R</b>	 <b>CX-EC-50 R</b>
 <b>CX-HR-2525</b>	 <b>CX-Bend-2525</b>	 <b>CX-L Connector-2525</b>	 <b>CX-HR Connector-2525</b>	 <b>CX-WC-2525</b>	 <b>CX-EC-2525</b>
 <b>CX-HR-4040</b>	 <b>CX-Bend-4040</b>	 <b>CX-L Connector-4040</b>	 <b>CX-HR Connector-4040</b>	 <b>CX-WC-4040</b>	 <b>CX-EC-4040</b>
 <b>CX-HR-4545</b>	 <b>CX-Bend-4545</b>	 <b>CX-L Connector-4545</b>	 <b>CX-HR Connector-4545</b>	 <b>CX-WC-4545</b>	 <b>CX-EC-4545</b>
 <b>CX-HR-5040</b>	 <b>CX-Bend-5040</b>	 <b>CX-L Connector-5040</b>	 <b>CX-HR Connector-5040</b>	 <b>CX-W-Conceale-5040d</b>	 <b>CX-EC-5040</b>
 <b>CX-HR-7039</b>	 <b>CX-Bend-7039</b>	 <b>CX-L Connector-7039</b>	 <b>CX-HR Connector-7039</b>	 <b>CX-WC-7039</b>	 <b>CX-EC-7039</b>
 <b>CX-HR-6045</b>	 <b>CX-Bend-6045</b>	 <b>CX-L Connector-6045</b>	 <b>CX-HR Connector-6045</b>	 <b>CX-WC-6045</b>	 <b>CX-EC-6045</b>
 <b>CX-HR-6035 LED</b>	 <b>CX-Bend-6035</b>	 <b>CX-L Connector-6035</b>	 <b>CX-HR Connector-6035</b>	 <b>CX-WC-6035</b>	 <b>CX-EC-6035</b>

# Handrail & Accessories

*We Make It More Elegance...*



**CX-HR-6535 Non LED**



**CX-Bend-6535**



**CX-L Connector-6535**



**CX-HR Connector-6535**



**CX-WC-6535**

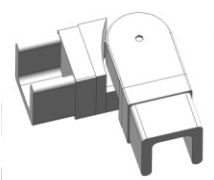


**CX-EC-6535**

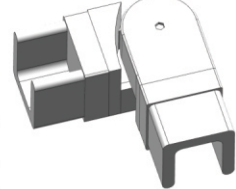
# Aluminum Moduler Bend



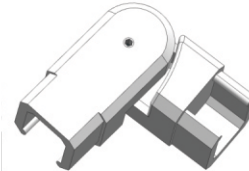
**CX-50R-MDL-BEND**



**CX-4040-MDL-BEND**

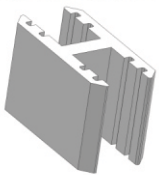


**CX-5050-MDL-BEND**

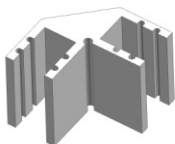


**CX-4545-MDL-BEND**

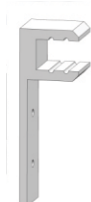
# Glass Connector Accessories & Fastner



**H-GLASS-BRACKET**



**L-GLASS-CORNER**



**F-WALL-BRACKET**



**PVC ANCHOR  
FASTENER  
10 X 100**



**MS ZINC  
COATED 8 X 12**



**MS ZINC  
COATED 6 X 10**

# SS 304 Point Fitting Series



**CX-PF-38 C-TYPE**



**CX-PF-38 FLAT**



**CX-PF-50**



**CUSTOMIZED SIZE**



*We Make It More Elegance...*

100+ combination  
of Top n bottom in  
**Aluminium Railing**

**LED** Aluminium  
Top n bottom Profile

17+ Aluminium  
**Handrails**

Suitable for All  
**Weather**

**Multi Color option in**  
Powder Coating,  
Wooden Coating  
& Anodised

Dealer Network  
In All **India**

**DIVYAM** INDUSTRIES

📍 | Rajkot-360002, (Gujarat) INDIA.

☎ | +91 9624518334, 9723350205

✉ | sales@cruxrailingindia.com

🌐 | www.cruxrailingindia.com

